

Malte AdBlue & Washer fluid



The Malte AdBlue unit is manufactured in Sweden and specially adapted to the demanding climate of the Nordics.

The unit is delivered with an integrated MID approved dispenser. It is suitable for both public and private commercial fuel stations. Its robust construction and temperature-resistant insulation protect against cold, solar heat and other weather-related damage. It is easy to maintain with a roof hatch and lockable doors for technical equipment. All components are made of the highest quality.

Filling positions

The dispenser, hose and display can be positioned in three different configurations, accommodating refuelling from either side. A front position is standard.

Seamless communication

The dispenser is equipped with advanced electronics capable of handling most market protocols, facilitating seamless connections to card terminals or cash systems. It's approved for integration with Bank Card terminals.

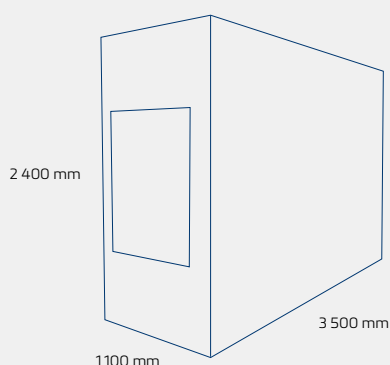
MID approved

Engineered for the Nordic climate

Plug & Play

Custom branding

- MID approved
- Made for the Nordic climate
- Plug & Play
- Easy adaptation to customer's graphic profile



Standard features

- Stainless steel Dripless couplings (2") for filling
- Outer walls composed of 30 mm insulated sandwich panels
- Roof hatch for easy level gauge exchange
- Steel bottom frame with integrated fork pockets
- 4,5 m hose for filling
- Overfill protection during truck refilling
- Lockable door for access to the filling room
- Stainless steel facade with integrated dispenser
- MID approved
- Price display with liter and total price indicators
- Automatically controlled heating system
- 4 m³ volume capacity

Optional features

- Custom decalation to match your graphic profile
- LED lighting in the filling room
- 3 m³ washer fluid capacity
- 8 m³ AdBlue capacity
- Level gauge
- Unit available without dispenser
- Temperature sensor

Dimensions

- Unit 4
- Length: 3 500 mm
- Width: 1 100 mm
- Height: 2 400 mm
- Weight: 1 000 kg
- Volume: 3 000 liters